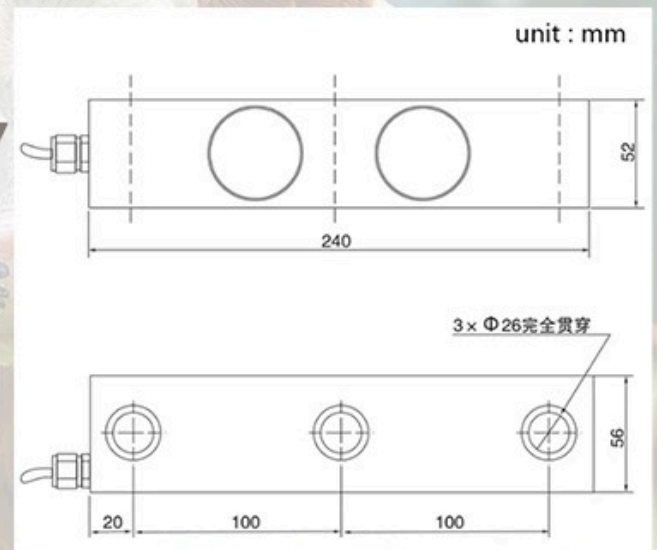


 www.beesskaal.com

 76 George Street  
Mantevrede  
Vanderbijlpark  
1900



## Feed Mixer Load Cells



### Features

- Rated Load: 4 ton
- Sensitivity:  $2.0000+0.002\text{mV/V}$
- Total Error:  $+0.02\%\text{F.S}$
- Creep (30 minutes):  $+0.02\%\text{F.S}$
- Recommended Excitation Voltage:  $5\text{V}\sim 18\text{V}$  (AC or DC)
- Maximum Excitation Voltage:
- 24V (AC or DC)
- Zero Balance:  $+1\%\text{F.S}$
- Input Impedance:  $775+10\ \text{Ohm}$
- Output Impedance:  $700+5\ \text{Ohm}$
- Insulation Impedance:  $>5000\text{M}\ \text{Ohm}$
- Safe Overload:  $150\%\text{F.S}$

### CONTACT Us



065 217 1596  
083298 1001



navrae@beesskaal.com

### FOLLOW Us

